

Ball valve 107 and 107S

- Female thread 1/4" - 4"
- Full flow valve
- Double stem gaskets



Description

Ball valve.

Construction

Ball valve in nickel-plated brass with full flow (bore). Handle in steel.

Model 107

Connection female thread 1/4" - 4". Gaskets in PTFE and FPM connection 1/4" - 2". Double o-ring gaskets in FPM for models larger than 2".

Model 107S

Connection female thread 1/4" - 3". With high neck for insulation penetration. Gaskets in PTFE and NBR.

Marking

DN, PN and company logotype.

Maintenance

The ball valve must be operated periodically, two to three times a year.

Technical data

107	
Body	Nickel-plated brass CW617N
Ball seal	PTFE
Stem gaskets (1/4" - 2")	PTFE and FPM
Stem gaskets (2 1/2" - 3")	FPM/FPM

107S	
Body	Nickel-plated brass CW617N
Ball seal	PTFE
Stem gasket	PTFE and NBR

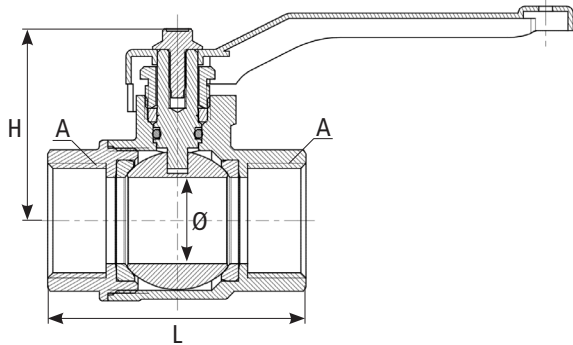
Maximum working pressure: see chart

Maximum working temperature: +100

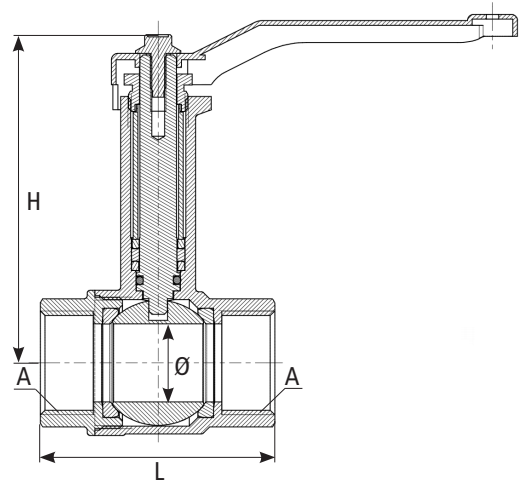
Minimum working temperature: -10°C

Ball valve 107 and 107S

107



107S



Item number	Description	Connection thread A	Length L	Centrum height H	Bore Ø	Max pressure (bar)	Weight (kg per piece)
0410700800	Ball valve 107-8, 1/4"F, handle	1/4"F	45,5	50	10	40	0,20
0410701000	Ball valve 107-10, 3/8"F, handle	3/8"F	45,5	50	10	40	0,18
0410701500	Ball valve 107-15, 1/2"F, handle	1/2"F	55,5	53	15	40	0,24
0410702000	Ball valve 107-20, 3/4"F, handle	3/4"F	66	56	20	40	0,35
0410702500	Ball valve 107-25, 1"F, handle	1"F	75	62	25	40	0,51
0410703200	Ball valve 107-32, 1 1/4"F, handle	1 1/4"F	85	81	32	40	0,95
0410704000	Ball valve 107-40, 1 1/2"F, handle	1 1/2"F	97	86	39	40	1,34
0410705000	Ball valve 107-50, 2"F, handle	2"F	109	92,5	48	40	1,95
0410706500	Ball valve 107-65, 2 1/2"F, handle	2 1/2"F	141,5	124	64	40	3,90
0410708000	Ball valve 107-80, 3"F, handle	3"F	159	135	78	25	5,30
0410701001	Ball valve 107-100, 4"F, handle	4"F	195	163	100	16	7,87
0410711000	Ball valve 107S-10, 3/8"F, handle	3/8"F	45,5	102	10	40	0,28
0410711500	Ball valve 107S-15, 1/2"F, handle	1/2"F	55,5	104	15	40	0,36
0410712000	Ball valve 107S-20, 3/4"F, handle	3/4"F	66	105,5	20	40	0,46
0410712500	Ball valve 107S-25, 1"F, handle	1"F	75	112	25	40	0,68
0410713200	Ball valve 107S-32, 1 1/4"F, handle	1 1/4"F	85	121	32	40	1,14
0410714000	Ball valve 107S-40, 1 1/2"F, handle	1 1/2"F	97	129	39	40	1,53
0410715000	Ball valve 107S-50, 2"F, handle	2"F	109	146	48	40	2,26
0410716500	Ball valve 107S-65, 2 1/2"F, handle	2 1/2"F	141,5	176	64	40	4,13
0410718000	Ball valve 107S-80, 3"F, handle	3"F	159	187	78	25	5,54

All dimensions in millimetres

Subject to technical changes and corrections without notice