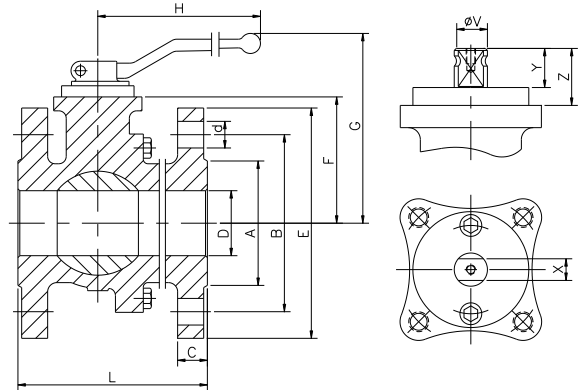
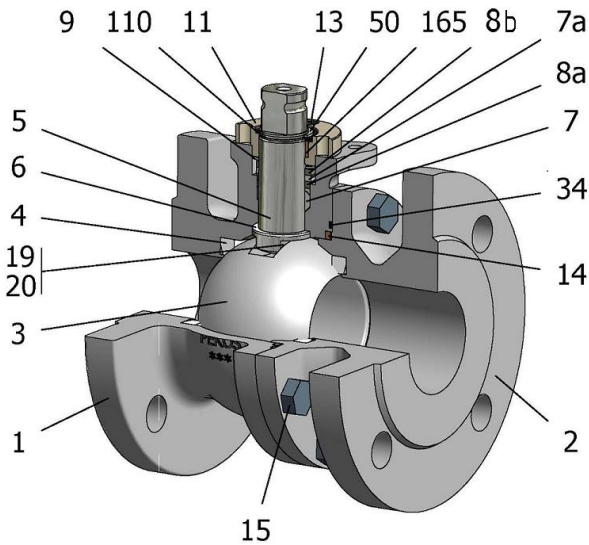


FIG.Z 04 TTTG PN40 DN15/125 F4-F5



| Position | Description          | Material             |
|----------|----------------------|----------------------|
| 01       | Body 1               | C.S. 1.0619          |
| 02       | Body 2               | C.S. 1.0619          |
| 03       | Ball                 | S.S. 1.4408          |
| 04       | Seat                 | PTFE (modified)      |
| 05       | Stem                 | S.S. 1.4401          |
| 06       | Stem seal            | PTFE (modified)+FG   |
| 07       | Stem packing         | PTFE (modified)      |
| 07a      | Stem packing 2       | Graphite             |
| 08a      | Gland packing 1      | S.S. 1.4401          |
| 08b      | Gland packing 2      | S.S. 1.4401          |
| 09       | Spring washer        | S.S. 1.4310          |
| 11       | Cover                | S.S. 1.4408          |
| 13       | Cover bolt           | A4-70                |
| 14       | Body seal 1          | PTFE (modified)      |
| 15       | Body bolt            | A2-70                |
| 16       | Handle               | WCB                  |
| 17       | Handle bolt          | 1.045(8.8)           |
| 19       | Spring               | S.S. 1.4401          |
| 20       | Antistatic ball      | S.S. 1.4401          |
| 34       | Body seal 2          | Graphite             |
| 50       | Subjection ring      | S.S. 1.4021          |
| 110      | Subjection ring seal | S.S. 1.4401 Nitrided |
| 165      | Stem bearing         | PTFE (modified)+FG   |

General features

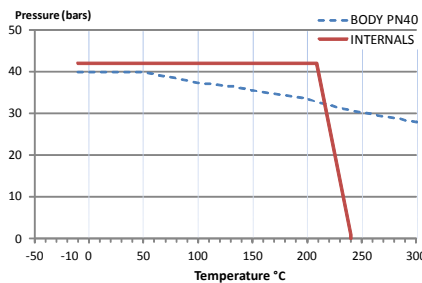
- Floating ball.
- Split body.
- Full bore.
- Soft seat.
- Bidirectional.
- Anti Blow out proof stem.
- Autoadjustable packing.
- Anti static device.
- Self-cavity pressure relief.

Standards

- Top flange ISO 5211
- Flanges EN 1092-01
- Face to face EN 558
- Testing EN-12266, ISO 5208
- Design EN-12516, ISO 17292

Official approvals

- CERTIFICATE FIRE SAFE
- TÜV.AD-MERKBLATT A4
- TA-LUFT VDI 2440
- ISO 15848-1
- ATEX 2014/34/EU
- PED 2014/68/EU
- SIL 3 CAPABLE
- EN 161/EN ISO 23553-1



PEKOS GROUP CERTIFICATES:  
ISO 9001-2008 / 2014/68/EU /API-6D



DIMENSIONS & Technical information

| DN  | PN | D   | L   | E   | A   | B   | C  | F   | H   | G   | V  | X  | Y  | Z  | n x d  | ISO 5211 | Torque | MAST | Weight |
|-----|----|-----|-----|-----|-----|-----|----|-----|-----|-----|----|----|----|----|--------|----------|--------|------|--------|
| 15  | 40 | 15  | 115 | 95  | 45  | 65  | 16 | 52  | 185 | 100 | 14 | 11 | 11 | 14 | 4 x 14 | F05      | 12     | 44   | 3      |
| 20  | 40 | 20  | 120 | 105 | 58  | 75  | 18 | 54  | 185 | 102 | 14 | 11 | 11 | 14 | 4 x 14 | F05      | 14     | 44   | 4      |
| 25  | 40 | 25  | 125 | 115 | 68  | 85  | 18 | 60  | 185 | 110 | 18 | 14 | 17 | 20 | 4 x 14 | F05      | 18     | 95   | 5      |
| 32  | 40 | 32  | 130 | 140 | 78  | 100 | 18 | 65  | 185 | 115 | 18 | 14 | 17 | 20 | 4 x 18 | F05      | 30     | 95   | 6      |
| 40  | 40 | 40  | 140 | 150 | 88  | 110 | 18 | 75  | 293 | 129 | 22 | 17 | 20 | 30 | 4 x 18 | F07      | 40     | 250  | 8      |
| 50  | 40 | 50  | 150 | 165 | 102 | 125 | 20 | 83  | 293 | 137 | 22 | 17 | 20 | 30 | 4 x 18 | F07      | 65     | 250  | 11     |
| 65  | 40 | 65  | 170 | 185 | 122 | 145 | 22 | 96  | 293 | 150 | 22 | 17 | 20 | 30 | 8 x 18 | F07      | 85     | 250  | 17     |
| 80  | 40 | 80  | 180 | 200 | 138 | 160 | 24 | 114 | 450 | 187 | 28 | 22 | 22 | 40 | 8 x 18 | F10      | 130    | 523  | 22     |
| 100 | 40 | 100 | 190 | 235 | 162 | 190 | 24 | 128 | 450 | 201 | 28 | 22 | 22 | 40 | 8 x 22 | F10      | 190    | 523  | 30     |
| 125 | 40 | 125 | 325 | 270 | 188 | 220 | 26 | 158 | 740 | 247 | 36 | 27 | 35 | 50 | 8 x 26 | F12      | 350    | 1073 | 62     |

\*\* Depending on service conditions.

\* Dimensions are in mm.

\* Torque & MAST are in Nm.

\* Weight is in Kilograms

\* Torque values have been measured ΔP at maximum rating at room temperature