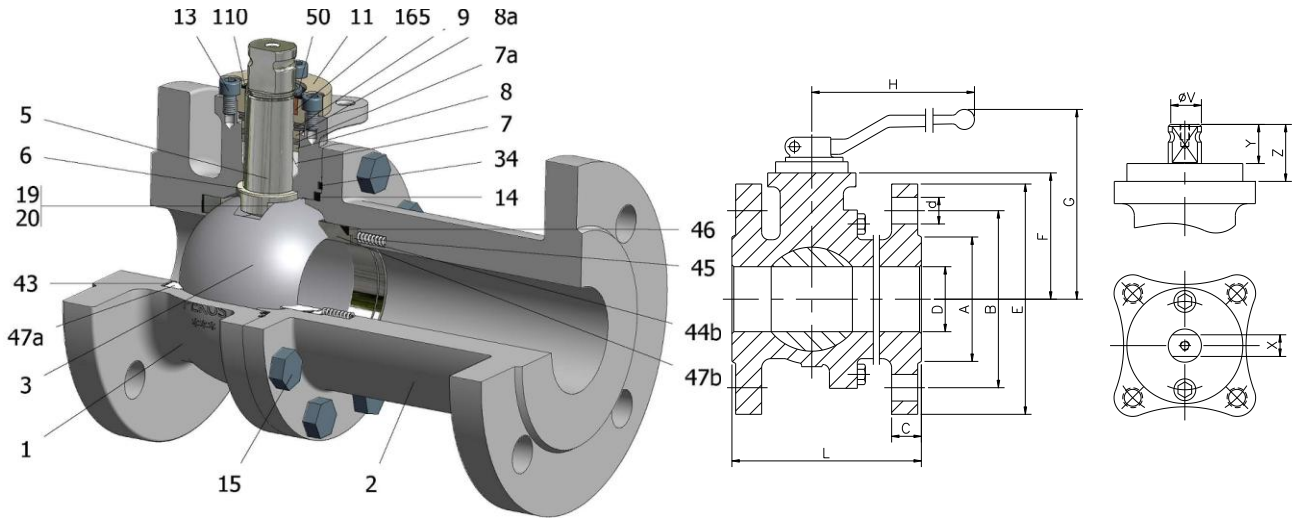


FIG.ZMS 26 CGGG PN16 DN15-200 F1



Position	Description	Material
01	Body 1	S.S. 1.4408
02	Body 2	S.S. 1.4408
03	Ball	1.4408+Cr-Carbide
05	Stem	XM-19
06	Stem seal	S.S. 1.4401 Nitrided
07	Stem packing	Graphite
07a	Stem packing 2	Graphite
08a	Gland packing 1	S.S. 1.4401
08b	Gland packing 2	S.S. 1.4401
09	Spring washer	Inconel X718
11	Cover	S.S. 1.4408
13	Cover bolt	A4-70
14	Body seal 1	Graphite
15	Body bolt	A4-70
16	Handle	WCB
17	Handle bolt	1.045(8.8)
19	Spring	S.S. 1.4401
20	Antistatic ball	S.S. 1.4401
34	Body seal 2	Graphite
43	Seat seal	Graphite
44b	Ring seat 2	S.S. 1.4401
45	Spring seat	Inconel X750
46	Seat seal	Graphite
47	Metal seat	1.4401+Cr-Carbide
50	Subjection ring	S.S. 1.4021
110	Subjection ring seal	S.S. 1.4401 Nitrided
165	Stem bearing	Carbongraphite

General features

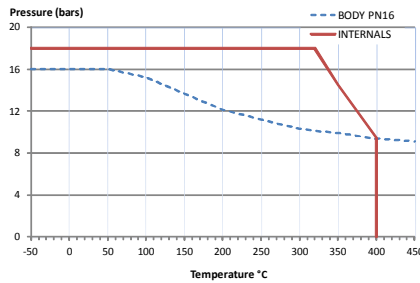
- Floating ball.
- Split body.
- Full bore.
- Metal to Metal.
- Bidirectional.
- Spring loaded seat system.
- Anti Blow out proof stem.
- Autoadjustable packing.
- Anti static device.
- Self-cavity pressure relief.

Standards

- Top flange ISO 5211
- Flanges EN 1092-01
- Face to face EN 558
- Testing EN-12266, ISO 5208
- Design EN-12516, ISO 17292

Official approvals

- CERTIFICATE FIRE SAFE
- TA-LUFT VDI 2440
- ISO 15848-1
- ATEX 2014/34/EU
- PED 2014/68/EU
- SIL 3 CAPABLE



PEKOS GROUP CERTIFICATES:

ISO 9001-2008 / 2014/68/EU /API-6D



DIMENSIONS & Technical information

DN	PN	D	L	E	A	B	C	F	H	G	V	X	Y	Z	n x d	ISO 5211	Torque	MAST	Weight
15	16	15	130	95	45	65	16	51	185	105	14	11	11	13,5	4 x 14	F05	18	81	3
20	16	20	150	105	58	75	18	53	185	107	14	11	11	13,5	4 x 14	F05	23	81	4
25	16	25	160	115	68	85	18	59	185	113	18	14	17	19,5	4 x 14	F05	32	175	5
32	16	32	180	140	78	100	18	64	185	118	18	14	17	19,5	4 x 18	F05	53	175	7
40	16	40	200	150	88	110	18	75	293	145	22	17	20	30	4 x 18	F07	71	464	9
50	16	50	230	165	102	125	18	83	293	153	22	17	20	30	4 x 18	F07	100	464	13
65	16	65	290	185	122	145	18	96	293	166	22	17	20	30	8 x 18	F07	127	464	20
80	16	80	310	200	138	160	20	114	450	205	28	22	22	40	8 x 18	F10	195	969	26
100	16	100	350	220	158	180	20	128	450	220	28	22	22	40	8 x 18	F10	253	969	36
125	16	125	400	250	188	210	22	158	740	267	36	27	35	50	8 x 18	F12	552	1990	63
150	16	150	480	285	212	240	22	175	740	284	36	27	35	50	8 x 22	F12	874	1990	94
200	16	200	600	340	268	295	24	245	750	362	48	36	40	63	12 x 22	F14	1242	4716	151

\*\* Depending on service conditions.

\* Dimensions are in mm.

\* Torque & MAST are in Nm.

\* Weight is in Kilograms

\* Torque values have been measured ΔP at maximum rating at room temperature