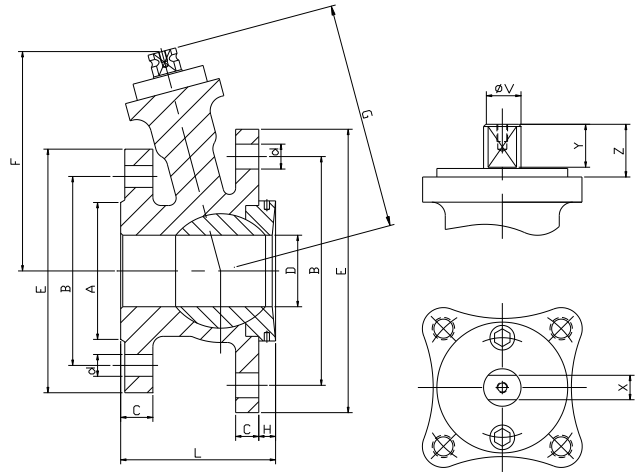
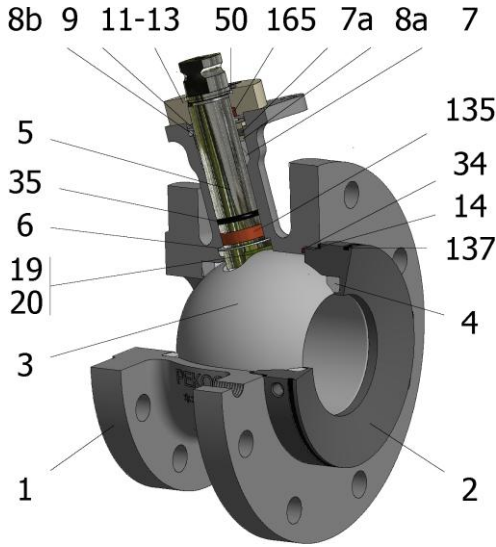


FIG.ZI 56 RRRVV PN16 DN50/150 DIN 28140



| Position | Description | Material |
|----------|-----------------|--------------------|
| 01 | Body 1 | S.S. 1.4408 |
| 02 | Body 2 | S.S. 1.4401 |
| 03 | Ball | S.S. 1.4408 |
| 04 | Seat | PTFE (modified)+FG |
| 05 | Stem | S.S. 1.4401 |
| 06 | Stem seal | PTFE (modified)+FG |
| 07 | Stem packing | PTFE (modified)+FG |
| 07a | Stem packing 2 | Graphite |
| 08a | Gland packing 1 | S.S. 1.4401 |
| 08b | Gland packing 2 | S.S. 1.4401 |
| 09 | Spring washer | S.S. 1.4310 |
| 11 | Cover | S.S. 1.4408 |
| 13 | Cover bolt | A4-70 |
| 14 | Body seal 1 | PTFE (modified)+FG |
| 19 | Spring | S.S. 1.4401 |
| 20 | Antistatic ball | S.S. 1.4401 |
| 34 | Body seal 2 | FKM |
| 35 | O ring stem | FKM |
| 50 | Subjection ring | S.S. 1.4021 |
| 135 | Stem tip | PTFE (modified)+CG |
| 137 | O ring body 2 | FKM |
| 165 | Stem bearing | PTFE (modified)+FG |

General features

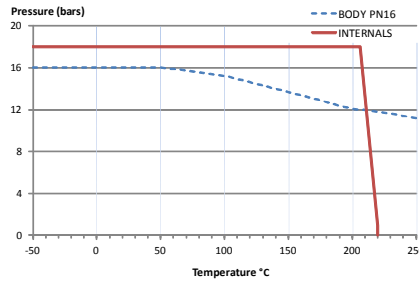
- Floating ball.
- End entry.
- Full bore.
- Soft seat.
- Bidirectional.
- Anti Blow out proof stem.
- Autoadjustable packing.
- Anti static device.
- Self-cavity pressure relief.

Standards

- Top flange ISO 5211
- Flanges EN 1092-01
- Testing EN-12266, ISO 5208
- Design EN-12516, ISO 17292, DIN 28140

Official approvals

- TA-LUFT VDI 2440
- ISO 15848-1
- ATEX 2014/34/EU
- PED 2014/68/EU
- SIL 3 CAPABLE



PEKOS GROUP CERTIFICATES:

ISO 9001: 2015 / 2014/68/EU / API-6D



DIMENSIONS & Technical information

| DN | PN | D | L | E | A | B | C | F | H | G | V | X | Y | Z | n x d | ISO 5211 | Torque | MAST | Weight |
|-----|-------|-----|-----|---------|-----|---------|-------|-----|----|-----|----|----|----|----|-------------|----------|--------|------|--------|
| 50 | 16 | 50 | 111 | 165/200 | 102 | 125/160 | 18/17 | 141 | 20 | 145 | 22 | 17 | 20 | 30 | 4/8 x 18/18 | F07 | 55 | 250 | |
| 80 | 16 | 80 | 144 | 200/220 | 138 | 160/180 | 20/17 | 179 | 25 | 185 | 28 | 22 | 22 | 40 | 8/8 x 18/18 | F10 | 102 | 523 | |
| 100 | 16 | 100 | 169 | 220/285 | 158 | 180/240 | 20/19 | 192 | 25 | 199 | 28 | 22 | 22 | 40 | 8/8 x 18/22 | F10 | 132 | 523 | |
| 150 | 16/10 | 150 | 281 | 285/340 | 212 | 240/295 | 22/21 | 258 | 30 | 267 | 36 | 27 | 35 | 50 | 8/8 x 22/22 | F12 | 456 | 1073 | |

** Depending on service conditions.

* Dimensions are in mm.

* Torque & MAST are in Nm.

* Weight is in Kilograms

* Torque values have been measured ΔP at maximum rating at room temperature