

Fig no. K-318L/T Standard Bore
1/4" ~ 2" DN 8- DN 50



Features :

Investment Casting, Four Seat & Screwed Body Design
Blow out proof stem, Direct Mounting to Actuator
360 degree rotation design
For Chemical, Industrial Application
Carbon Steel or Super Alloy upon request

Standard Compliance :

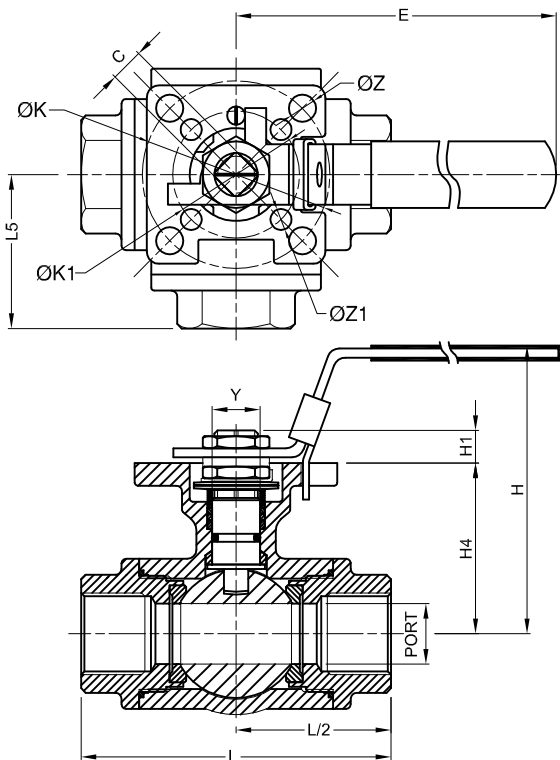
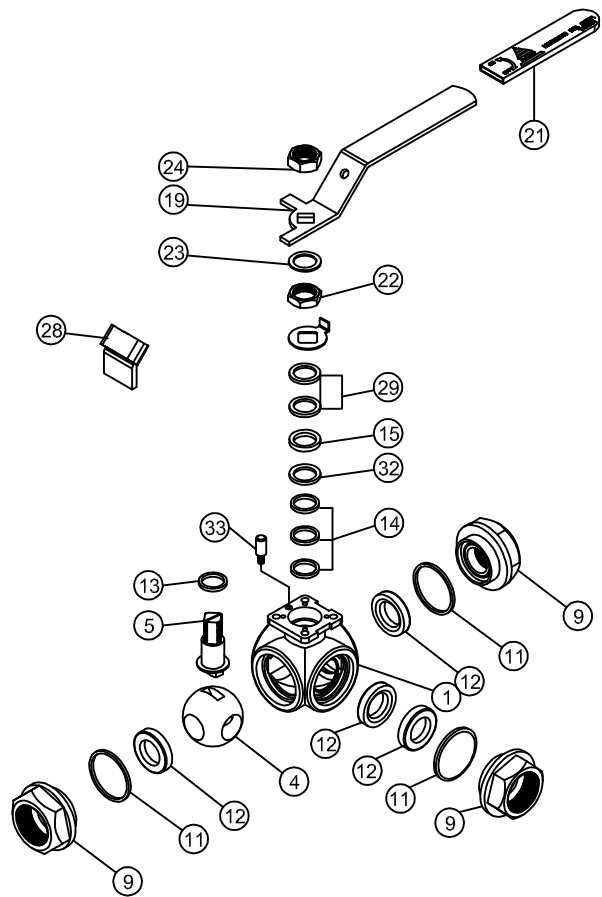
Body wall thickness : EN 12516-1/3
Threaded end : BS 21 (BSP)
BSPT
ISO 228-1G
DIN 2999
ISO 7-1Rp
Face to Face : MD's standard
Body material : EN1503-1
Pressure testing : EN 12266

Specification :

End connection : Threaded end
Working Pressure : 63 bar (CWP)
Temperature : -20 to 180 C

MATERIALS LIST

NO.	PART NAME	MATERIAL
1	BODY	1.4408/EN1503-1
4	BALL	ASTM A351 Gr.CF8M
5	STEM	SS316
9	CAP	1.4408/EN1503-1
11	BODY SEAL	RTFE.
12	SEAT	RTFE.
13	THRUST WASHER	RTFE.
14	STEM PACKING	RTFE.
15	GLAND BUSH	SS304
19	HANDLE	SS304
21	HANDLE COVER	PLASTIC
22	STEM NUT	SS304
24	HANDLE NUT	SS304
28	LOCKING PAD	SS304
29	BELLEVEILLE WASHER	SS304-CSP
30	STOP WASHER	SS304
31	O-RING	VITON
32	PACKING FOLLOWER	PTFE.+25%G.F.
33	STOP PIN	SS304



DIMENSIONS

SIZE	PORT	L	L5	E	H	H1	H4	C	Y	ØK	ØK1	Z	Z1
DN8	1/4"	11.0	75.7	37.3	112.0	77.5	9.0	38.2	9.0	12.0	42.0	6.0	6.0
DN10	3/8"	11.0	75.7	37.3	112.0	77.5	9.0	38.2	9.0	12.0	42.0	6.0	6.0
DN15	1/2"	12.7	75.7	37.3	112.0	77.5	9.0	38.2	9.0	12.0	42.0	6.0	6.0
DN20	3/4"	16.0	86.6	44.7	112.0	82.0	9.0	45.2	9.0	12.0	42.0	6.0	6.0
DN25	1"	20.0	102.4	51.4	136.5	93.7	11.0	56.5	11.0	15.8	50.0	7.1	7.1
DN32	1-1/4"	25.0	118.2	57.7	188.0	101.1	11.0	61.9	11.0	15.8	50.0	7.1	7.1
DN40	1-1/2"	32.0	125.8	62.7	197.5	120.3	14.3	78.3	14.0	20.8	70.0	9.2	7.1
DN50	2"	38.1	149.0	74.6	197.5	129.9	14.0	87.4	14.0	20.8	70.0	9.2	7.1