

INFLATABLE SEAT “INFLAS®”



Resilient seated butterfly valve type Z011-A INFLAS® PRO / PRO Vaccum with inflatable liner.

TECHNICAL DATA

The sealing system was developed for highly abrasive or very sensitive media.

Available for all resilient seated butterfly valves with interchangeable seat from DN 80 - DN 600.

In closed position, the liner will be pressed against the disc using low air pressure. The media is sealed off securely.

Before opening the disc, the chamber is vented behind the liner. This creates an air gap between the liner and the disc, hence low torque is required to open the valve.

A gap-free special version (GF) is also available for higher pressures, pressure surges or extremely abrasive media.

ADVANTAGES

Extremely low wear of parts even in contact with abrasive media

Low sized actuators due to reduced torques

Low grinding/-clamping of sensitive media between disc and liner

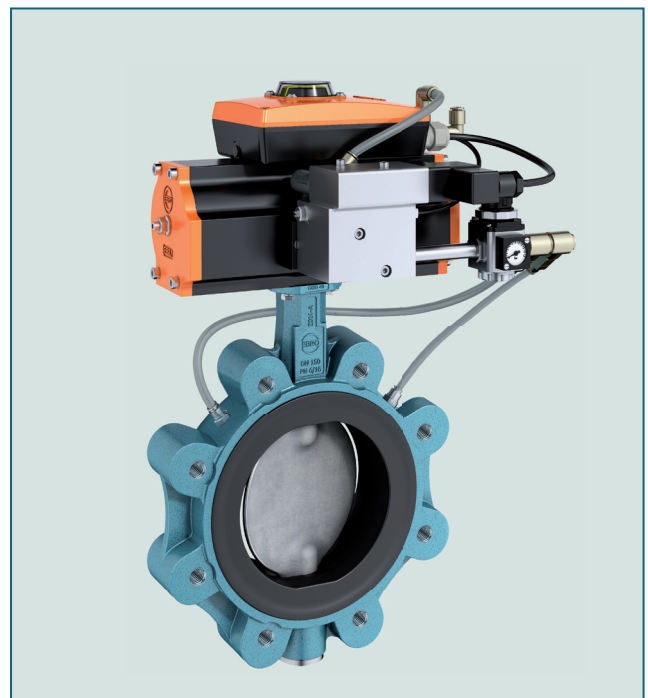
Additional safety due to cascade shaft seal, as no false air can be drawn in via the shaft and the cascade simultaneously protects the shaft bearings from dirt and dust.

THE EBRO CONTROL

1. Signal “OPEN” appears as a digital signal
2. The air pressure is reduced behind the liner
3. The valve will open if there is no pressure on the liner
4. Position “OPEN” will be confirmed
5. When the signal disappears, the valve will close
6. Position „CLOSED” will be confirmed
7. When the valve is closed, the liner will be pressurised and the plausibility check is carried out
8. When pressure is on the liner „OK” will be reported

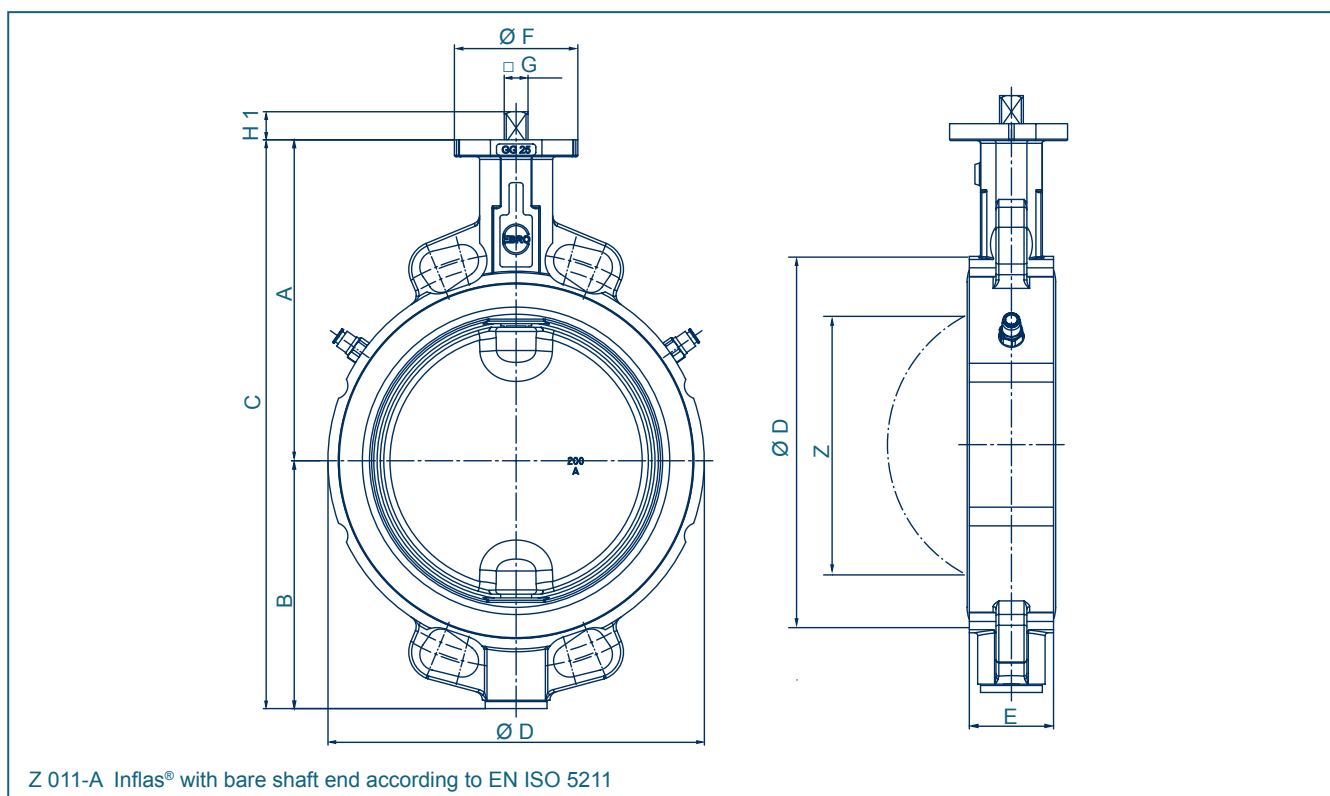
GENERAL APPLICATIONS

- Bulk goods
- Food industry
- Pneumatic conveying systems
- Weighing technology
- Core shooting machinery (GF-version)



Z014-A INFLAS® ECO

INFLATABLE SEAT "INFLAS[®]"



Z 011-A Inflas[®] with bare shaft end according to EN ISO 5211

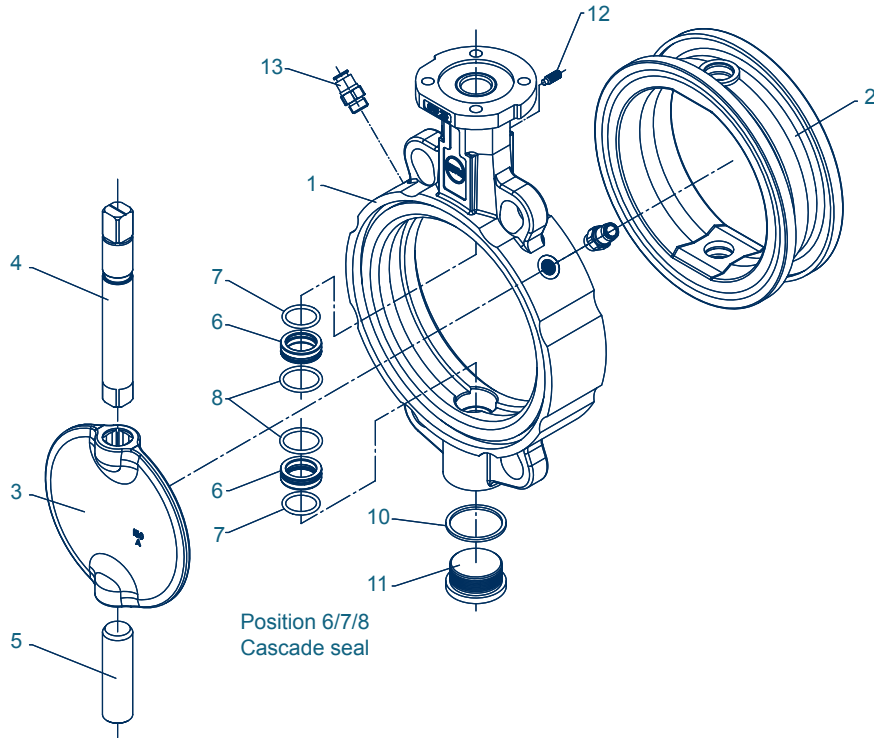
DN [mm]	Size [in]	Dimensions [mm]										Weight [kg]
		A	B	C	D	E	F	Flange	G	H1	Z	
50	2	126	84	210	95	43	54	F04	11	12	25	2,2
65	2½	134	93	227	115	46	54	F04	11	12	45	2,9
80	3	157	104	261	138	46	65	F05	14	16	65	4,0
100	4	167	115	282	158	52	65	F05	14	16	85	5,2
125	5	180	127	307	188	56	65	F05	14	16	111	6,9
150	6	203	150	353	212	56	90	F07	17	19	139	9,5
200	8	228	176	404	268	60	90	F07	17	19	190	13,2
250	10	266	212	478	320	68	125	F10	22	24	240	22,5
300	12	291	237	528	370	78	125	F10	22	24	287	31,5
350	14	332	269	601	408	78	150	F12	*	*	330	39,4
400	16	363	314	677	470	102	150	F12	*	*	378	58,7
500	20	437	371	808	574	127	210	F14/F16	*	*	474	107,0
600	24	498	469	967	675	154	300	F16/F25	*	*	563	171,0

* According to mounted actuator

Subject to change without notice

INFLATABLE SEAT "INFLAS®"

MATERIAL SPEZIFICATION AND PARTS LIST

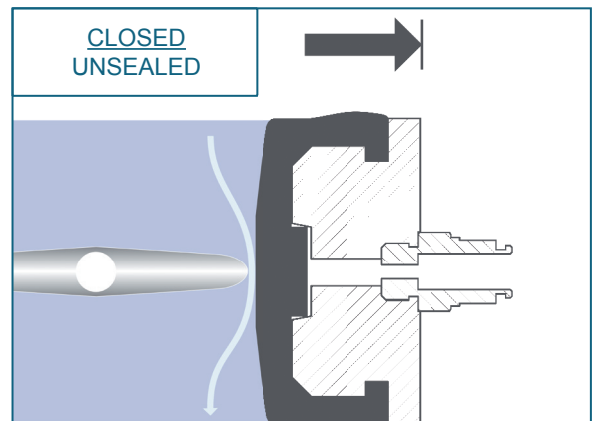
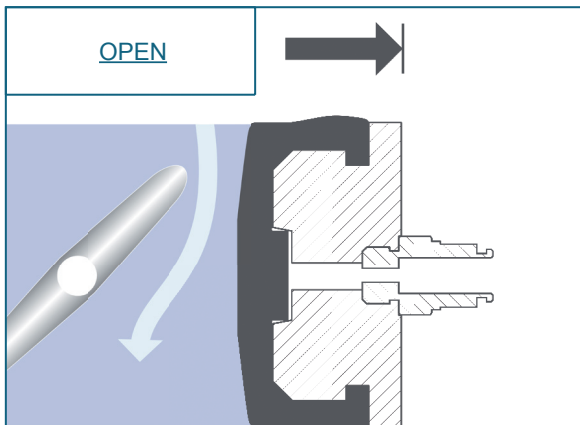


Pt.	Description	Material	Material-No.	ASTM	Pt.	Description	Material	Material-No.	ASTM
1	Body				4/5	Shafts			
	Aluminiumalloy	G-AISI9Cu3	3.2163	B 380.1		Stainless Steel	X39CrMo17-1	1.4122	
		G-AISI10Mg	3.2381	361.1			X14CrMoS17	1.4104	430 F
	Grey Cast Iron	GG-25	0.6025	40 B			X5CrNiMo 17-12-2	1.4401	316
	Nodular Cast Iron	GGG-40	0.7040	60-40-18			X2CrNiMoN22-5-3	1.4462	
		GGG-40.3	0.7043		6	Cascade seal			
	Carbon Steel	GS-C25	1.0619	WCB		Brass	MS 58	2.0401	B 45
	Stainless Steel	G-X5CrNiMo19-11-2	1.4408	CF8M	7	O-ring inside			
2	Seat					NBR	Nitrile butadiene rubber		
	NBR	Nitrile butadiene rubber				FPM	Fluorocarbon rubber		
	EPDM	Ethylene propylene diene monomer rubber			8	O-ring outside			
	CSM	Chlorosulfonated polyethylene rubber				NBR	Nitrile butadiene rubber		
	FPM	Fluorocarbon rubber				FPM	Fluorocarbon rubber		
	VSI	Silicone rubber			10	Seal DIN 7603			
	SBR-green	Styrene butadiene rubber				Copper	Cu		Copper
3	Disc				11	Plug screw			
	Stainless Steel	G-X5CrNiMo19-11-2	1.4301	304		Stainless Steel	G-X5CrNiMo19-11-2	1.4408	CF8M
		G-X6CrNiMo18-10	1.4408	CF8M	12	Threaded pin			
		X2CrNiMo17-12-2	1.4404	316 L		Steel	45 H galvanized		
		X6CrNiMoTi17-12-2	1.4571	316 Ti		Stainless Steel	A4-70		B8M
		G-X2CrNiMoN26-7-4	1.4469	F 51	13	Air supply			
		Hastelloy	2.4883	Hastelloy		Brass nickel-plated			
	Aluminium Bronze	G-CuAl10Ni	2.0975	C 95800					
	Coating	Halar, Rilsan, NBR, EPDM							
	Surface quality	electropolished, mirror finished				Other materials upon request			

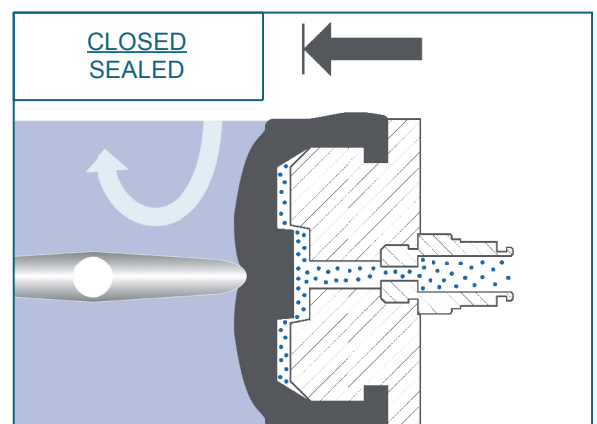
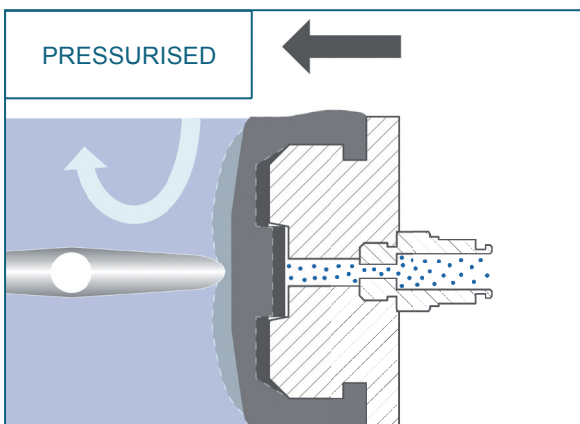
Subject to change without notice

INFLATABLE SEAT "INFLAS®"

FUNCTIONAL DESCRIPTION INFLATABLE SEAT



As the valve rotates into the closed position, the disc makes casual contact with the seat, reducing friction, wear and torque requirements.



After the valve is closed, the seat inflates against the disc providing bidirectional bubble tight seal.

INFLAS®	ECO	PRO	PRO VACUUM
Inflatable Seat	x	x	x
Inflation Pressure Control	x	x	x
Central Air Supply	x	x	x
Position Safety Scan	x	x	x
Pneumatic Time Control	x	-	-
Electronic Control of all sequences	-	x	x
Automatic function control	-	x	x
Error Indication evaluable via contact	-	x	x
Electronic Pressure Control	-	x	x
LED Status Display	-	x	x
Vacuum Module (Option)	-	-	x
ATEX (Option)	x	x	x