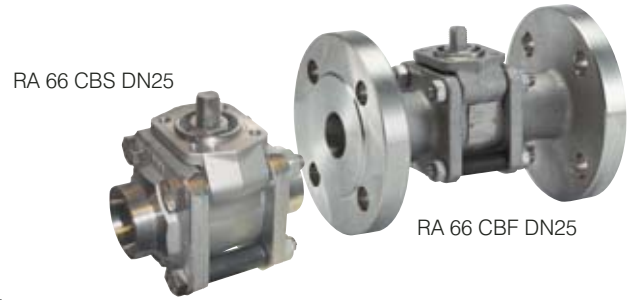
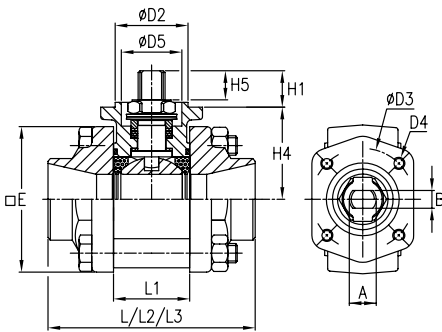


## Series RA

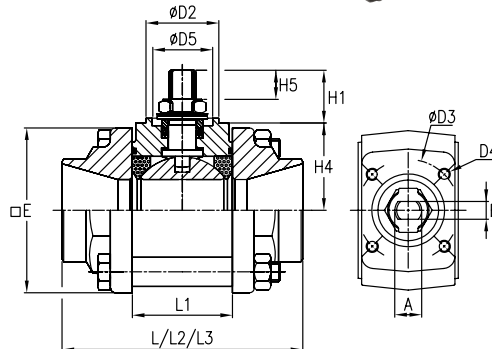
3 Piece ball valves with ISO top flange DN8 - DN50  
Butt weld, threaded, socket weld and flanged version



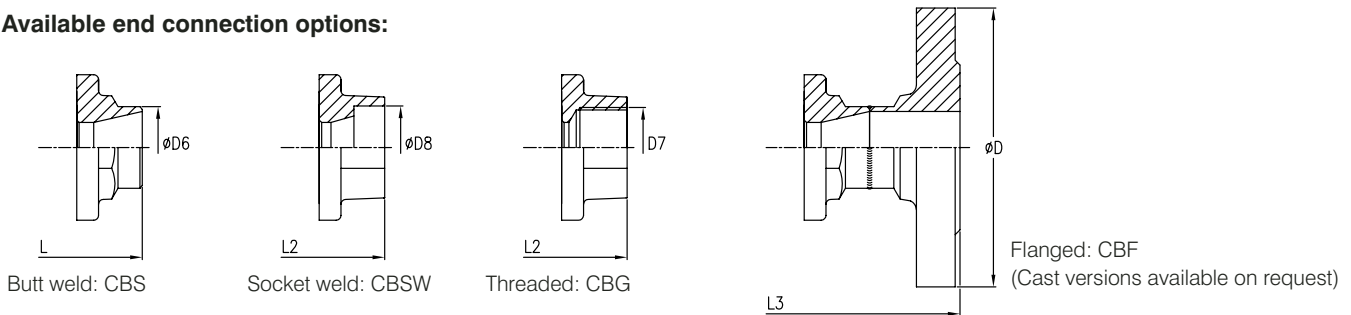
DN8 - DN25



DN32 - DN50



### Available end connection options:



### Design features

- ISO top flange according DIN/ISO 5211/DIN 3337 available with or without handle
- Easy installation of all types of actuators
- Swing out body for easy maintenance
- Flexible installation features due to modular design
- Reduced and full bore options available
- Stainless and carbon steel trims
- Forged end connections
- Cast and forged body materials
- Wide variety of seat material options available

### Detailed technical information

- Threaded ends: (CBG) BSPP, BSPT according DIN 2999, DIN 259 (CBB) NPT according ANSI B 2.1
- Socked weld (CBSW): Female socket weld ANSI B16.11
- Butt weld (CBS): ISO, DIN, ASME, OD, extended OD
- Flanged (CBF): Cast and forged design EN 1092-1, ANSI 150/300. Standard Face-to-Face according EN 558-1 Series 1
- Design codes: DIN 3840, EN 13445
- DN8 - DN32: Forged and cast bodies. Larger sizes in cast body material
- Special end connections are available on request
- Pressure rating: PN10 - PN100

### Dimensions in mm

DN	ISO	L	L1	L2	L3	H1	H4	H5	E	øD	øD2	øD3	D4	øD5	øD6	D7	øD8	A	B	Ball bore	Weight in Kg		
																					CBS	CBSW	CBF
																					5211 series 1		
8	F03	65	20.4	65	-	10	30	7	45	-	25	36	M5	22	13.5	1/4"	14.2	9.5	5.4	11.1	0.5	0.5	-
10	F03	65	20.4	65	130	10	30	7	45	90	25	36	M5	22	17.2	3/8"	17.6	9.5	5.4	11.1	0.5	0.5	2.2
15	F03	65	20.4	65	130	10	30	7	45	95	25	36	M5	22	21.3	1/2"	21.8	9.5	5.4	11.1	0.5	0.5	2.3
20	F03	72.5	24.5	72.5	150	10	32	7	52	105	25	36	M5	22	26.9	3/4"	27.4	9.5	5.4	14.2	0.8	0.9	3
25	F04	85.4	31.4	85.4	160	15	38	12	60	115	30	42	M5	25	33.7	1"	34.2	11.1	7.5	20.6	1.1	1.3	3.8
32	F04	99.3	41.3	99.3	180	22	36	12	68	140	30	42	M5	25	42.4	1 1/4"	43	11.1	7.5	25.4	1.7	1.9	6
40	F05	110.4	48.4	110.4	200	29	42	16	76	150	35	50	M6	30	48.3	1 1/2"	49	14.3	8.9	31.7	2.7	2.7	7.3
50	F05	126.3	56.3	126.3	230	30	46	16	88	165	35	50	M6	30	60.3	2"	61.1	14.3	8.9	38	3.8	4.1	10

### Notes

- All dimensions are related to reduced bore valves.