

Ball Valves

Wafer

General features

- Floating ball.
- End entry.
- Full bore.
- Soft seat.
- Bidirectional.
- Anti Blow out proof stem.
- Autoadjustable packing.
- Anti static device.
- Self-cavity pressure relief.
- Face to Face Wafer type

Standards DIN

- Top flange ISO 5211
- Flanges EN 1092-1
- Testing EN-12266, ISO 5208
- Design EN-12516, ISO 17292, DIN 28140
- Face to Face UNE-EN 558 (series100)

Standards ANSI

- Top flange ISO 5211
- Flanges ANSI B16.5
- Testing API 598, BS 6755-1
- Design B16.34
- Materials according to NACE MR0175
- Face to Face UNE-EN 558

Official Approvals

- CERTIFICATE FIRE SAFE
- TA-LUFT VDI 2440
- ISO 15848-1
- ATEX 2014/34/EU
- PED 2014/68/EU
- SIL 3 CAPABLE

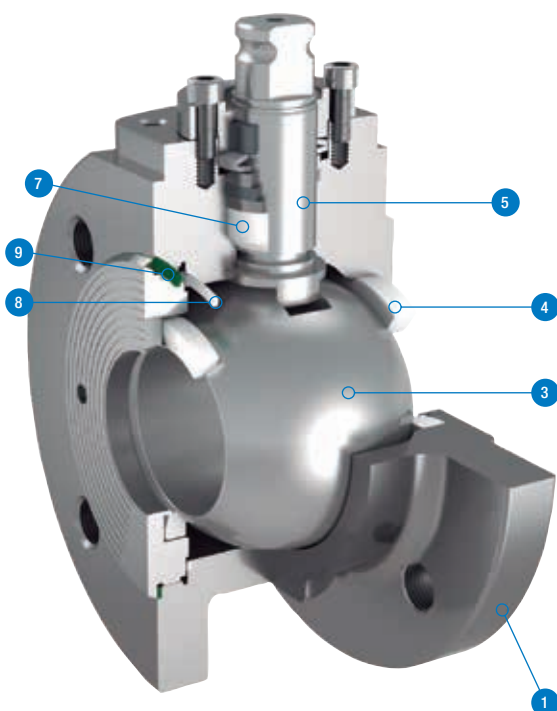
Standard Construction Materials:

Range

DN15-100	PN10-16
DN15-80	PN25-40
1/2" - 4"	CL150

Item	Description	ANSI		DIN	
		CARBON STEEL	STAINLESS STEEL	CARBON STEEL	STAINLESS STEEL
1	Body	A216 WCC/A 105	A351 CF8M/AISI 316	1.0619/1.0352	1.4408/1.4401
3	Ball	A351 CF8M		1.4408	
4	Seats	PTFE (Mod)		PTFE (Mod)	
5	Stem	AISI 316		1.4401	
7	Stem Packing	PTFE (Mod)		PTFE (Mod)	
8	Body seal 1	PTFE (Mod)		PTFE (Mod)	
9	Body seal 2	Graphite		Graphite	

Other material construction for different service upon request





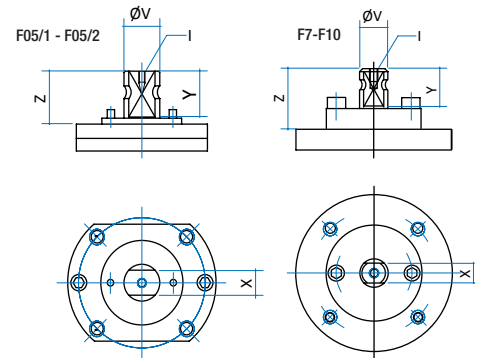
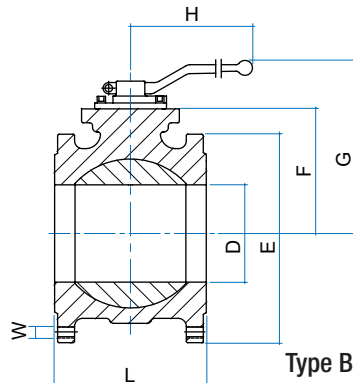
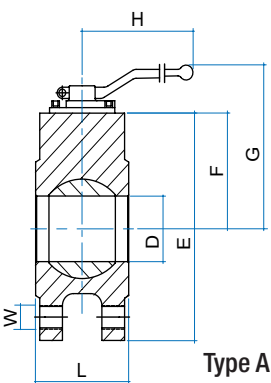
WAFER Ball Valves DIN / ANSI

Dimensions (mm / In.)

DN (DIN)	NPS (ANSI)	D	L	E (DIN)	E (ANSI)	F	G	H	W (DIN)	W (ANSI)	ISO 5211	Weight (kg)	Valve Type Fig.
15	1/2"	15	35	95	90	52	100	185	M12	W 1/2"	F05/1	2	A
20	3/4"	20	39	105	100	53	110	185	M12	W 1/2"	F05/1	2	A
25	1"	25	44	115	110	56	113	185	M12	W 1/2"	F05/1	3	A
32	1 1/4"	32	52	140	115	64	113	185	M16	W 1/2"	F05/2	5	A
40	1 1/2"	40	64	150	125	75	145	293	M16	W 1/2"	F07	5	A
50	2"	50	83	165	150	83	153	293	M16	W 5/8"	F07	7.4	A
65	2 1/2"	65	105	185	180	96	166	293	M16	W 5/8"	F07	10.3	A
80	3"	80	121	200	190	113	207	450	M16	W 5/8"	F10	14.4	A
100	4"	98	152	220	230	126	220	450	M16	W 5/8"	F10	21.8	B

Top Flange ISO 5211 (mm)

ISO 5211	F05/1	F05/2	F07	F10
X	11	14	17	22
V	14	18	22	28
Z	13,5	19,5	30	40
Y	11	17	20	22
I	M4	M4	M6	M8



Breakaway Torque (Nm)

DN	1/2"	3/4"	1"	1 1/4"	1 1/2"	2"	2 1/2"	3"	4"
NPS	15	20	25	32	40	50	65	80	100
Seat material	PTFE (Mod)	PTFE (Mod)	PTFE (Mod)	PTFE (Mod)	PTFE (Mod)	PTFE (Mod)	PTFE (Mod)	PTFE (Mod)	PTFE (Mod)
PN10	7	9	13	20	29	40	50	80	100
PN16	8	10	14	21	31	46	55	85	110
Class 150	9	11	16	23	32	48	62	103	145
PN25	10	12	17	25	33	54	71	108	158
PN40	12	14	18	30	40	65	85	130	190

MAST

(Maximum allowable stem torque N.m)

Stem material	F05/1	F05/2	F07	F10
AISI 316/1.4401	42	92	244	510
F-51/1.4462	95	207	550	1147
XM-19	80	175	464	968

Kv Values (m³/h)

DN	1/2"	3/4"	1"	1 1/4"	1 1/2"	2"	3"	4"
NPS	15	20	25	32	40	50	80	100
Kv	20	44	88	200	310	480	960	1700



www.pekos.es



Rec del Molinar, 9 - P.I. El Circuit - 08160 Montmeló (Barcelona) - Spain
Tel.: (+34) 93 568 92 56
pekos@pekos.es

